



PROJECT		REF		REV	ITEM CODE	
LOCATION		DATE			PAGE	

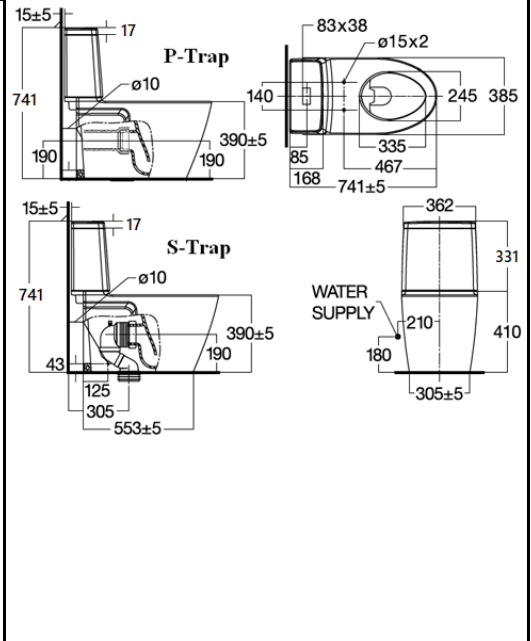
SANITARY WARE SPECIFICATION SHEET

Item Descriptions	American Standard (Thailand) "Acacia SupaSleek" Double Vortex close-coupled watercloset with Crysta Sleek soft closing seat & cover; Aqua Ceramic & ComfortClean Technology against stain, bacteria and germs; nominated flow rate 3.1/4.8 LPF in WELS Grade 1 ; Registration No. WC 20-0131	<p style="text-align: center;">Illustration/ Drawing</p>
Dimensions	L741 x W385 x H741 mm	
Model	TF2307TSC-0	
Material/Colour	Vitreous China	
Manufacturer	American Standard (Thailand)	
Source	Acme Sanitary Ware Co. Ltd Mr. Eric Wong/ Mr. Wilson Hung	
Contact Tel/Fax	(852) 2388-7171 / (852) 2710-8012	
E-mail	acme@acmesanitary.com.hk	
Website	www.acmesanitary.com.hk	

Flushing system: Double Vortex,
 Slow Closing seat & cover: A whisper quiet close for an enhanced bathroom experience for you and your family
 Top Fixed & Quick Release: Easily installed from the top of the toilet bowl,
 Offers an innovative and fast way to replace the seat cover,
 Anti-Breakage & Anti-Scratch: Manufactured from high impact resistant urea-formaldehyde,
 a high quality seat cover with polished surface designed for luxury and durability,

Water stains on ceramic wares are often caused by silica, which occurs naturally in water. Silica bonds chemically with ceramic surfaces, causing water stains. Proguard, a revolutionary technology which is applied to the ceramics, prevents silica in the water from adhering to the surface. This results in easier maintenance and a cleaner bowl.

Experience Double Vortex Here



Note: New Code : CL23075-6DACTCBT
 Crystal Sleek soft closing seat and cover : 640000CS

* All information of the above is for the reference only. No prior notice is made if any changes.

註冊號碼 (Registration No.): WC 20-0131



自願參與用水效益標籤計劃 - 水廁
Voluntary Water Efficiency Labelling Scheme - Water Closets



茲證明
This is to certify that

(2307TSC-WT-0=TF2307TSC-0)

將下列水廁在本計劃內註冊：

has registered the following water closet under this scheme :

牌 子 / Brand	: American Standard
型 號 / Model	: 2307TSC-WT-0 + PC-A2422
種 類 / Category	: Close-coupled Suite
原 產 地 / Country or Region Origin	: Thailand (WC Pan & Cistern) China (Flushing Valve)

在用水效益標籤上展示的標誌
Symbolic Presentation on the Water Efficiency Label : 滴水點 *Water droplet(s)*

用水效益級別
Water Efficiency Grade : 1

全沖水量
Water Flush Volume (Full) : 4.8 公升/沖廁 *litres/flush*

低沖水量
Water Flush Volume (Reduced) : 3.1 公升/沖廁 *litres/flush*

簽發日期:
Date of Issue: 25 September 2020

水務署
Water Supplies Department



水務署署長(葉哲奇代行)
for Director of Water Supplies

* 上述水廁具額外節水功能，即：重用洗盥水作沖廁用途。
The above water closet is equipped with additional water saving feature, that is: re-use the water collected from wash basin for flushing purpose.



DOUBLE VORTEX

MAXIMUM FLUSHING PERFORMANCE, MINIMUM WATER USAGE

The design of the bowl propels the water forward and creates a strong flushing momentum.



100% of the water is ejected through two water openings.

Momentum and power are created by the design of the bowl and force of the water.

The resulting 'vortex' of water cleans the entire surface of the bowl.



RIMLESS

HYGIENIC AND EASY TO CLEAN

Double Vortex is a rimless flushing system that effectively cleans the entire bowl interior, preventing dirt and deposits from building up. This rimless design makes it easy to clean as no dirt can accumulate over time.



All water flows out from the top of the bowl, cleaning the inner surface of the bowl.

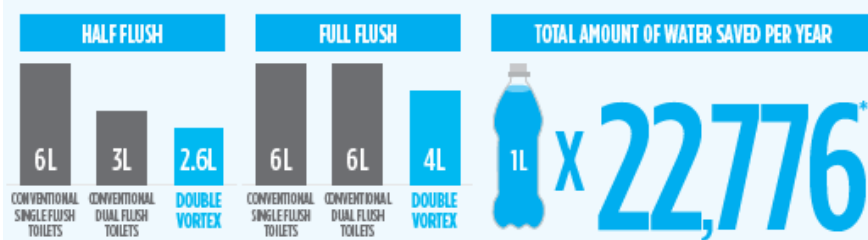


WATER-SAVING

USES ONLY 2.6L FOR HALF FLUSH AND 4L FOR FULL FLUSH

Apart from boasting an efficient flushing system, Double Vortex uses 2.6 litres of water for half flush and 4 litres for full flush. This equates to approximately 22,776 litres of water saved in a year for a family of 4.

COMPARISON IN WATER SAVINGS BETWEEN CONVENTIONAL AND DOUBLE VORTEX FLUSHING SYSTEMS



Calculation criterion is as follows. Average family number: four people. Average usage number of times: five times/per person per day (full-flush: one time, half-flush: four times)

* Water savings is based on conventional Single Flush Toilets versus Double Vortex

ANTI-STAIN TECHNOLOGY



AQUA CERAMIC



GOOD DESIGN AWARD 2016

Less Dirt Stains. Less Water Stains.

This award-winning super-hydrophilic technology prevents dirt and dark ring stains from sticking to ceramic surfaces. In fact, dirt glides off the surface effortlessly as Aqua Ceramic enables water to penetrate between the contaminants and the toilet surface, effectively lifting off that waste with every flush.

AQUA CERAMIC is the first material in the world that is able to address the four main issues that affect the cleanliness of toilets: scuffing and scratching, marks from waste, stains caused by prolonged exposure to hard water, and the build-up of bacteria.

The technology incorporates super-hydrophilic performance in the surface of the ceramic, which permits the rinse water to permeate beneath any waste that may have become attached to the ceramic. And as the stain relinquishes its hold, the water simply lifts it and flushes it away.



AQUA CERAMIC

AQUA CERAMIC

AQUA CERAMIC



Aqua Ceramic

Super hydrophilic technology prevents dirt and stains from sticking to ceramic surfaces.



AQUA CERAMIC

Super hydrophilic technology prevents dirt and dark ring stains from sticking to ceramic surface.



GOOD DESIGN
AWARD 2016

Aqua Ceramic Anti-Stain Technology

Less Dirt Stains. Less Water Stains. Easy to Clean.

Winner of Good Design Gold Award in 2016, Aqua Ceramic is a revolutionary technology that allows water to penetrate beneath any waste that may have attached to the ceramic, and easily lift it with just the power of water alone.

LIXIL

100年
クリーン

AQUA
CERAMIC

A revolutionary invention that ensures pristine and shiny condition - just like brand new - for the next 100 years.



ComfortClean

Effectively kills E.Coli bacteria according to tests done with the Industrial Microbiological Service Ltd (IMSL).



COMFORTCLEAN

Effectively kills E. Coli bacteria according to tests done with IMSL.

ComfortClean Antibacterial Glaze

China Glaze

Ceramic Ware

ComfortClean Antibacterial Technology

Long-lasting Protection Against Bacteria and Germs.

American Standard ComfortClean technology: A revolutionary ceramic glaze with zinc oxide that effectively kills E. coli bacteria inside the toilet bowl for the long term and beyond, as proven in tests conducted by Industrial Microbiological Services Limited (IMSL).



ComfortClean Antibacterial Glaze is fired into the ceramic at more than 1000°C, ensuring long-lasting effectiveness.



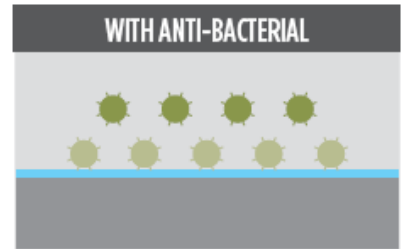
ANTI-BACTERIAL FINISH

TOTAL HYGIENE PROTECTION

American Standard's anti-bacterial finish covers all essential touch points, including the push button, seat and cover to provide an ultimate hygienic environment.



Over time, bacteria breeds on a conventional toilet's surface.



With Anti-bacterial finish, it effectively inhibits the growth of bacteria.



American Standard is the first in the industry to meet the *Japan Industrial Standard (JIS Z 2801:2010) for this anti-bacterial technology on the push button. This technology is also applied on the seat and cover to provide a more hygienic environment.

*Japan Industrial Standard (JIS Z 2801:2010) is the standard established by Japan Industrial Standard to test for anti-bacterial activity and efficacy.

Antimicrobial test result example (24 hours later)



The anti-bacterial innovation is applied as a glaze on ceramic wares, and is certified by the Industrial Microbiological Service Ltd (IMSL) in UK. The anti-bacterial feature cannot be removed even by household detergents, providing a lifetime of hygiene protection.



Good Design Award 2014

American Standard wins 2014 Good Design Award for its Acacia Evolution basin mixer.



GOOD DESIGN AWARD 2014

LIXIL

Link to Good Living

About LIXIL

LIXIL is the most comprehensive and connected global company in the housing and building industry, delivering human-centric innovation that enhances people's living spaces – we call this Living Technology.

Delivering core strengths in water, housing, building and kitchen technologies, our brand portfolio businesses including LIXIL, INAX, GROHE, American Standard Brands and Permasteelisa are leaders in the industries and regions in which they operate, bringing better living solutions to the world today and for future generations.





PROJECT		REF		REV	ITEM CODE	
LOCATION		DATE			PAGE	

SANITARY WARE SPECIFICATION SHEET

Item Descriptions	American Standard (PRC) 3" Dual flush valve	Illustration/ Drawing
Model	PC-A2422	
Material	Plastic	
Manufacturer	American Standard (PRC)	
Supplier	Acme Sanitary Ware Co. Ltd Mr. Eric Wong/ Mr. Wilson Hung	
Contact Tel/Fax	(852) 2388-7171 / (852) 2710-8012	
E-mail	acme@acmesanitary.com.hk	
Website	www.acmesanitary.com.hk	

Note: The color of the above fittings may be varied without further notice.

* All information of the above is for reference only. No prior notice is made if any changes.



水務署
Water Supplies Department

總部 Headquarters

香港灣仔告士打道七號入境事務大樓 48 樓

48/F, Immigration Tower, 7 Gloucester Road, Wan Chai, Hong Kong

本署檔號
Our ref.
來函檔號
Your ref.



2023 T/J(721/2023)

電話
Tel. :
傳真
Fax. : 2824 0578

23 August 2023



Approval of “AMERICAN STANDARD” Flush Valve
(General Acceptance No. C20230621F)

Your E-Application [file-id: ETJ-GA-20230712-82] dated 13 July 2023 and subsequent submission received by this department on 1 August 2023 refer.

Having considered the test report ref. J27709r2 issued on 6 January 2023 by Nutek Systems (HK) Limited, this Authority accepts that the fitting described below complies with, and its use when correctly installed does not contravene, the Waterworks Ordinance and Regulations.

Name of Manufacturer: Xiamen R&T Plumbing Technology Co Ltd

Country of Origin: the Mainland of China

Brand: American Standard

Details of Fitting: 3" Plastic dual flush valve

Model: PC-A2422

Body Markings: **R&T**

Expiry Date: 13 April 2027



Proviso: As the fitting has not been tested for use in contact with water intended for human consumption, the fitting can only be used in flushing water plumbing system.

This Authority hereby permits the use of the above fitting in flushing water plumbing systems subject to full adherence to Waterworks installation requirements. In particular, you are required to draw your customers' attention to the following requirement-

"The flushing volume of the flushing valve should be adjusted to suit the design of the toilet bowl so that wastes can be cleared effectively by a single flush."

"The fitting should be used within the range of working pressures specified by the manufacturer." AND

"The installed fitting should not result in backflow of water that will contaminate the flushing water supply."

A condition of this acceptance is that the fitting to be installed shall be replicas of the sample as certified by the testing agent mentioned above and without modifications. This acceptance may be withdrawn at any time if the standard of the fitting installed fails to meet that of the approved sample or if the fitting is found to be unsuitable for use in flushing water plumbing systems.

For the use of the fitting in any project, the General Acceptance Number of this letter must be quoted as a means of identification of acceptance of the fitting by this Authority.

Should you have any enquiries, please contact our Engineer Ms Winnie LO at tel. no. 3583 4086.

Yours faithfully,



(YAU Hau Yin)
for Director of Water Supplies

Encl.

c.c. WSD 3321/1/82] - without catalogue
ME/MC] - with soft copy only



PROJECT		REF		REV	ITEM CODE	
LOCATION		DATE			PAGE	

SANITARY WARE SPECIFICATION SHEET

<p>Item Descriptions</p> <p>Model</p> <p>Material</p> <p>Manufacturer</p> <p>Supplier</p> <p>Contact Tel/Fax</p> <p>E-mail</p> <p>Website</p>	<p>American Standard (PRC) 5/8" Plastic float operated inlet valve</p> <p>PC-A1260</p> <p>Plastic</p> <p>American Standard (PRC)</p> <p>Acme Sanitary Ware Co. Ltd Mr. Eric Wong/ Mr. Wilson Hung</p> <p>(852) 2388-7171 / (852) 2710-8012 acme@acmesanitary.com.hk www.acmesanitary.com.hk</p>	<p>Illustration/ Drawing</p>
---	---	------------------------------

Note: The color of the above fittings may be varied without further notice.

* All information of the above is for the reference only. No prior notice is made if any changes.



水務署
Water Supplies Department

總部 Headquarters

香港灣仔告士打道七號入境事務大樓 48 樓

48/F, Immigration Tower, 7 Gloucester Road, Wan Chai, Hong Kong



本署檔:
Our ref.
來函檔號:
Your ref.

21/2022 T/J(1111/2022)

電話 :
Tel. :
傳真 : 2824 0578
Fax :

23 December 2022



**Approval of “AMERICAN STANDARD” Float Operated Valve
(General Acceptance No. C20221163F)**

Your letters ref. WRC/2780 and C-WSD/0977 dated 23 September 2022 and 29 November 2022 respectively refer.

Having considered the test report ref. J27711 issued on 13 May 2022 by Nutek Systems (HK) Limited, this Authority accepts that the fitting described below complies with, and its use when correctly installed does not contravene, the Waterworks Ordinance and Regulations.

Name of Manufacturer: Xiamen R&T Plumbing Technology Co Ltd
Country of Origin: the Mainland of China
Brand: American Standard
Details of Fitting: 5/8" Plastic float operated valve
Model: PC-A1260
Body Markings: Nil
Expiry Date: 26 April 2027



Proviso: As the fitting has not been tested for use in contact with water intended for human consumption, the fitting can only be used in flushing water plumbing systems.

This Authority hereby permits the use of the above fitting in flushing water plumbing systems subject to full adherence to Waterworks installation requirements. In particular, you are required to draw your customers' attention to the following requirement-

"The flushing volume of the flushing valve should be adjusted to suit the design of the toilet bowl so that wastes can be cleared effectively by a single flush."

"The fitting should be used within the range of working pressures specified by the manufacturer." AND

"The installed fitting should not result in backflow of water that will contaminate the flushing water supply."

A condition of this acceptance is that the fitting to be installed shall be replicas of the sample as certified by the testing agent mentioned above and without modifications. This acceptance may be withdrawn at any time if the standard of the fitting installed fails to meet that of the approved sample or if the fitting is found to be unsuitable for use in flushing water plumbing systems.

For the use of the fitting in any project, the General Acceptance Number of this letter must be quoted as a means of identification of acceptance of the fitting by this Authority.

Should you have any enquiries, please contact our Engineer Ms Winnie LO at tel. no. 3583 4086.

Yours faithfully,



(YAU Hau Yin)

for Director of Water Supplies

Encl.

c.c. WSD 3321/1/82] - without catalogue
ME/MC] - with soft copy only